

WAT-30HD/CS

1/3" Ultra-compact HD-SDI Color Camera

Ultra-compact design with Full HD 1920×1080p CMOS sensor

NEW

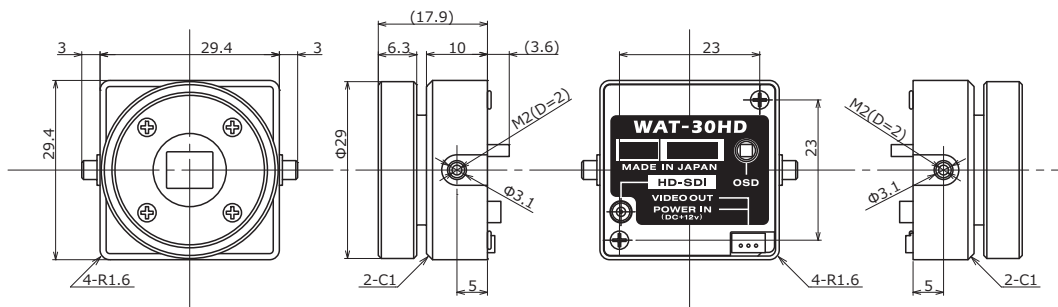


※No CE & FCC

Key features

- Only 30mm square with 27.5g achieves 2.1 Megapixel HD-SDI
- "Double shutter" & "Digital" wide dynamic range selectable
- Advanced setting available by OSD (On Screen Display) through on-camera joystick
- SD/analogue output for checking image at set up

Dimensions



Specifications

Pick-up element	1/3 inch CMOS image sensor
Number of effective pixels	1944(H) × 1092(V)
Unit cell size	2.75μm × 2.75μm
Imaging system	RGB primary color bayer arrangement mosaic filters on chip
Synchronizing system	Internal
Scanning system	Progressive
Video outputs	HD-SDI / Composite video
Output format	1080/30p, 1080/25p, 720/60p, 720/50p, NTSC, PAL
Resolution (H)	900TVL
Minimum Illumination	0.05lx F1.2 (DSS=OFF), 0.005lx F1.2 (DSS=MAX)
S/N	More than 52dB
Function settings	OSD (On Screen Display) operated by joystick
AE mode	AUTO, MANUAL, FLICKER
Shutter speed	1/30, 1/60, 1/120, 1/250, 1/500, 1/1000, 1/2000, 1/4000, 1/8000, 1/16000, 1/30000, 1/60000 sec.
Slow shutter	OFF, x2, x4, x8, x16, x32
White balance	AUTO, AUTO EXT, PUSH LOCK, MANUAL
AGC	12 - 60dB
Day/Night	AUTO, COLOR, B&W
3D Noise reduction	OFF, LOW, MIDDLE, HIGH
Wide dynamic range	Double shutter: ON / OFF
	Digital: ON / OFF
Back light compensation	ON (Area selectable) / OFF
White blemish correction	Yes
Defog	ON (LOW, MIDDLE, HIGH) / OFF
Digital zoom	1.0x - 20.0x
Privacy mask	16 masks
Mirror image	OFF, H-FLIP, V-FLIP, HV-FLIP
Motion detection	ON / OFF
HLMASK	ON / OFF
Power supply	DC+12V±10%
Power consumption	1.44W (120mA)
Operating/Storage temperature	-10 - +50°C / -20 - +60°C
Operating / Storage humidity	80% RH or less / 95% RH or less (Without condensation)
Lens mount	CS mount
Weight	Approx. 27.5g
Accessory	Cable

Accessories Options

